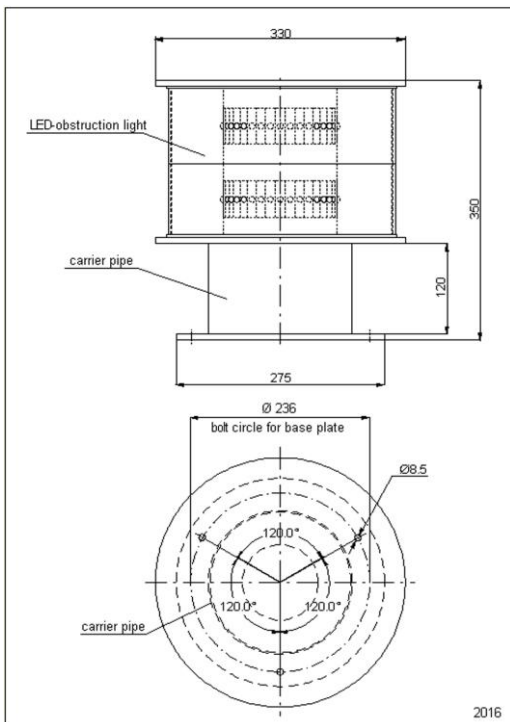


# LED – heliport beacon – AOL 304-2006 – H



**Please state when ordering:**

- supply voltage
- mounting location of electronic ballast in switch cabinet

Technical data	
Type	AOL 304-2006 – H
Lamp	LED-insert with high performance LED, white
Supply Voltage	- 100-240V / AC 50/60Hz - 88-375V / DC - 21-27V / DC electronic ballast must be installed in external switch cabinet, power loss due to long cable run is regulated by electronic ballast
Power consumption	max. 130W average value 60W
Luminous intensity effective	conform to administrative regulations I-36/06 from 19.12.2005 of the German Federal Ministry of Transport
Flash rate	1,2s off 0,1s on, 0,133s off, 0,1s on, 0,133s off, 0,1s on, 0,133s off, 0,1s on, 1,2s off ...
Average service life	> 100.000 hours
Range of temperature	-40°C to +60°C
Housing	powder-coated aluminum, traffic white, stainless steel V4A available, colors according to RAL table
Optics	optical system
Electrical connection	switch cabinet: - dimension: 380x380x210mm - AE 1038.500 metal work - screw terminals up to 4mm <sup>2</sup> - cable gland 2xM25, 2xM20 - main fuse 10A in switch cabinet
fault indication	failure message via potential-free contacts
Degree of protection	IP 66 / obstruction light and switch cabinet
Dimension	see dimension sketch
Weight	approx. 10.0 kg obstruction light approx. 22.0 kg switch cabinet
Mechanical stress	shock-proof, vibration-resistant
Specification	CE - certified, heliport beacon
Over-voltage protection	integrated in obstruction light according to EN 61643-11:2001 in SPD type 2 for switch cabinet and obstruction light
functions	brightness control to 3%, 10% und 50% possible
Quality characteristics	- integrated heating system to avoid icing - high-efficient protection of LED luminous element against ultraviolet light, direct sunlight and condensation - well-proven system since 1999
Accessories	- GPS module