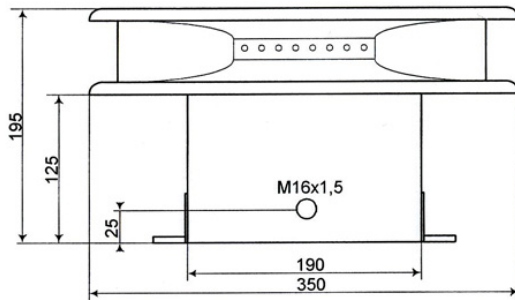


LED - hazard beacon W GF 2003/W

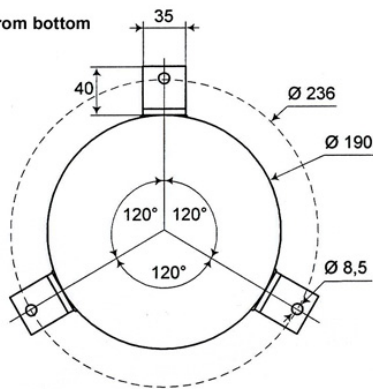


GF 2003/W

side view



view from bottom



weight: 4 kg



Technical data

Type	GF 2003/W
Lamp	LED-inset with light-emitting diodes, aviation red
Supply Voltage	AC 100-240 V, DC 80-375 V or 24 V DC
Power consumption	Approx. 20 W
Luminous intensity, effective	> 100 cd red, horizontal 360°
Average service life	> 100.000 operating hours
Surge voltage protector	Integrated in the lamp
Ambient temperature	From - 40° to + 80° C
Housing	aluminium powder-coated, traffic-white or by wish
Optics	Mirror reflector
Elektrical connection	Terminal box: plastics 5 x 2.5mm ²
Degree of protection	IP 54
Dimensions	see dimensioned sketch
Weight	approx. 4 kg
Mechanical stress	Impact-resistant and shock proof, vibration-resistant
Spezifikation	certified according to CE, Fire W approved by the Federal Ministry for Transport
Design	2-stage hazard beacon
Accessories	electronic flashing giver with sturgeon message over contacts free of potential

Photometrische Lichtstärke

