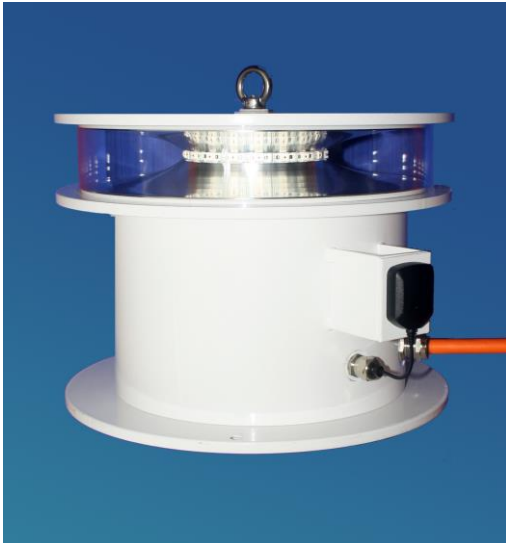
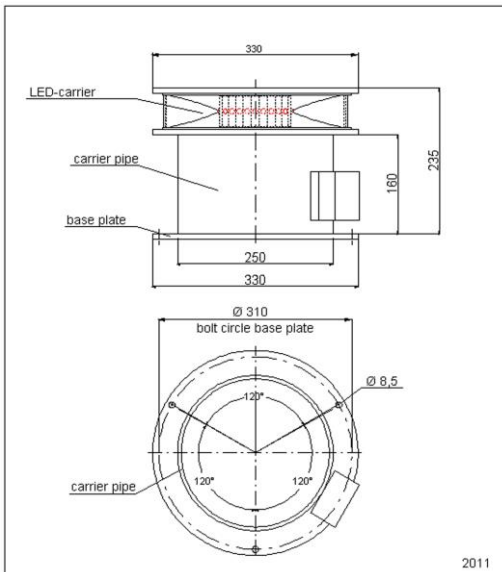


## LED – medium intensity obstruction light – AOL 305 – ES



### Technical data

Type	AOL 305 – ES (W, red ES)
Lamp	LED-insert with high performance LED, red
Supply voltage	- 100-240V / AC 50/60Hz - 88-375V / DC - 21-27 / DC electronic ballast can be installed in external switch cabinet or placed in obstruction light, power loss due to long cable run is regulated by electronic ballast
Power consumption	red approx. 8W / night operation, blinker beacon
Luminous intensity photometric	Min. 170 cd/ max. 255 cd red horizontal 360°
Flash rate	1s on / 0,5s off / 1s on / 1,5s off
Average service life	> 100.000 hours
Range of temperature	-40°C to +60°C
Housing	powder-coated aluminum, traffic white, stainless steel V4A available, colors according to RAL table
Optics	optical system
Electrical connection	WAGO clamp up to 3 x 2,5 mm <sup>2</sup> in UV- resistant plastic or aluminum housing
Fault indication	failure message via potential-free contacts
Degree of protection	IP 66
Dimensions	see dimension sketch
Weight	approx. 6 kg
Specification	CE - certified , type W red ES, approved by the German Federal Ministry of Transport
Over-voltage protection	according to EN 61643-11:2001 in SPD type 2 for switch cabinet and obstruction light
Design	one-level medium intensity obstruction light
Functions	brightness control available
Quality characteristics	- integrated heating system to avoid icing - high-efficient protection of LED luminous element against ultraviolet light, direct sunlight and condensation - well-proven system since 1999
Accessories	- twilight switch - GPS module



The required supply voltage has to be stated when ordering.

## Bescheinigung

Hiermit wird bestätigt, dass die Laterne

Typ: EST 100ES/AOL 305ES

Hersteller: Hochspannung Lichttechnik  
Bernd Ballaschk GmbH  
Willischzaweg 48  
D- 03096 Burg / Spreewald

den Anforderungen des Technischen Standards

„Erweiterte Spezifikationen für das Feuer W, rot zur Kennzeichnung von  
Windenergieanlagen als Luftfahrthindernis -Feuer W, rot ES-“

(Fachstelle der WSV für Verkehrstechnik, Version 1 vom 26.02.2009)  
entspricht.

Koblenz, den 19.04.2011



Streng