



LED-medium intensity obstruction light AOL 303SA-A/C technical data

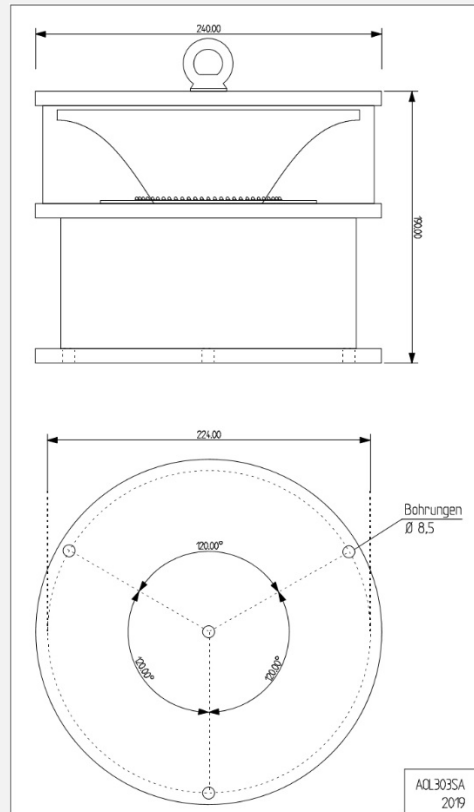
Type	AOL 303SA-A/C
Lamp	LED-insert with high performance LED white and red
Supply voltage	- 24V / DC - 230V (100-240V) / AC $\pm 15\%$ electronic ballast installed in obstruction light or can be installed in external switch cabinet
Power consumption	white blinker beacon average 16W, max. 240W / in the daytime red constant beacon 40W / night operation
Luminous intensity effective	20.000 cd white, $\pm 25\%$ 2.000 cd red, $\pm 25\%$ horizontal 360°
Flash rate	0,2s on / 2,8s off during daytime Constant operation during night
Average service life	> 100.000 hours
Overvoltage protection	integrated
Range of temperature	-40°C to +60°C
Housing	powder-coated aluminum, traffic white, stainless steel V4A available, colors according to RAL table
Optics	optical system
Electrical connection	special cable UV resistant 2.5mm ²
Degree of protection	IP 66
Dimensions	240 x 272 mm (24V) 240 x 385 mm (230V)
Weight	approx.. 2,5 kg
Mechanical stress	shock-proof, vibration-resistant
Specification	CE - certified, meets ICAO Annex 14, table 6-3. medium intensity obstruction light , approved by the German Federal Ministry of Transport
Execution	Medium intensity obstruction light for day and night
Quality characteristics	- GPS Synchronisation, astronomical clock and twilight switch included - fault indication potential free - integrated heating system to avoid icing - high-efficient protection of LED luminous element against ultraviolet light - well-proven system since 1999
Accessories	- terminalbox aluminium or synthetic material (PC) - visibility sensor - control unit - UPS, Datalog

Notice: The technical equipment influences the design of the obstruction lights. The following overview will help you to choose the correct product. We would be pleased to advise you personally.





execution AOL 303SA-A/C 24V DC



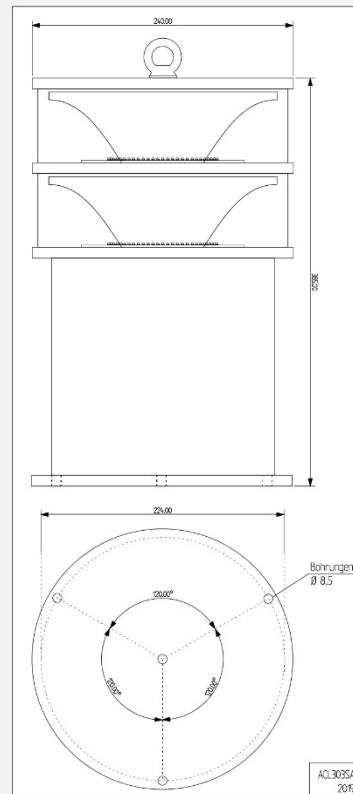
- with additional infrared LED
- terminal box synthetic material
- terminal box aluminium
- without terminal box, cable length (standard 10m): _____m

Order volume: _____





execution AOL 303SA-A/C 230V AC



- with additional infrared LED
- terminal box synthetic material
- terminal box aluminium
- without terminal box, cable length (standard 10m): _____m

Order volume: _____





Certified translation from German, page 1 of 1

FEDERAL WATERWAY AND SHIPPING OFFICE
WSV Department for Traffic Engineering



Certificate
in accordance with no. 28 of the general administrative order
concerning the identification of aviation obstacles (AVV identification) to be presented
to the responsible licensing authority in accordance with the Air Traffic Act

Type of light White blinking obstacle day light
 Medium intensity type A

Manufacturer Hochspannungs-Lichttechnik Bernd Ballaschk GmbH
 Stradoweg 27
 D-03096 Vetschau

Type reference AOL 303SA-A

Based on technical checks carried out by the Department for Traffic Engineering of the Federal Waterway and Shipping Office on 6th March 2019, it is herewith confirmed that the presented product sample of the above-described light type is in line with the technical light requirements as per the AVV identification specifications dated 26th August 2015 (BAnz AT 1st September 2015 B4, dated 1st September 2015) and the standards and recommendations of annex 14, volume I, tables 6.1 and 6.3, edition 6, July 2013 of the Chicago Treaty. The results of the technical light check have been documented as part of inspection report LS211 dated 10th April 2019.

The type of light may, subject to changes to the stated requirements, and whilst adhering to possible stipulations based on the inspection report, be utilised for the purpose of identifying aviation obstacles.

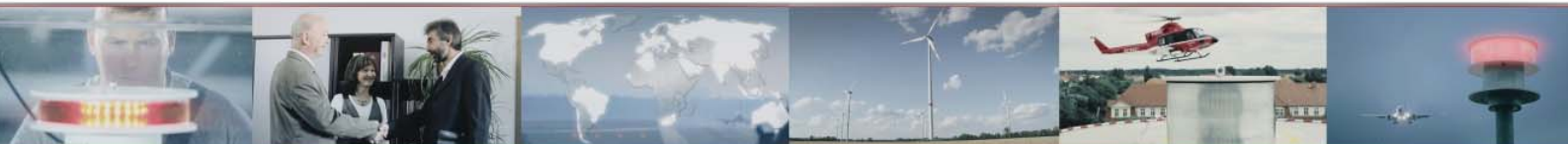
Coblenz, 15th April 2019

[Circular stamp with insignia:
WSV Department for Traffic
Engineering
AT WSA Coblenz
1]

[Signature]
(Polschinski)

I, Robert Avery Grey, sworn German-English translator by the Frankfurt Regional Court, hereby certify that the above translation from the original document is accurate and complete.

Frankfurt am Main, Germany, 27th June 2019





Certified translation from German, page 1 of 1

FEDERAL WATERWAY AND SHIPPING OFFICE
WSV Department for Traffic Engineering



Certificate

**in accordance with no. 28 of the general administrative order
concerning the identification of aviation obstacles (AVV identification) to be presented
to the responsible licensing authority in accordance with the Air Traffic Act**

Type of light Hazard beacon
 Medium intensity type B

Manufacturer **Hochspannungs-Lichttechnik Bernd Ballaschk GmbH**
 Willischzaweg 48
 D-03096 Burg/Spreewald

Type reference **AOL 303SA-B/C**

Based on technical checks carried out by the Department for Traffic Engineering of the Federal Waterway and Shipping Office on 6th March 2019, it is herewith confirmed that the presented product sample of the above-described light type is in line with the technical light requirements as per the AVV identification specifications dated 26th August 2015 (BAnz AT 1st September 2015 B4, dated 1st September 2015) and the standards and recommendations of annex 14, volume I, tables 6.1 and 6.3, edition 6, July 2013 of the Chicago Treaty. The results of the technical light check have been documented as part of inspection report LS210 dated 4th April 2019.

The type of light may, subject to changes to the stated requirements, and whilst adhering to possible stipulations based on the inspection report, be utilised for the purpose of identifying aviation obstacles.

Coblenz, 15th April 2019

[Circular stamp with insignia:
WSV Department for Traffic
Engineering
AT WSA Coblenz
1]

[Signature]
(Polschinski)

I, Robert Avery Grey, sworn German-English translator by the Frankfurt Regional Court, hereby certify that the above translation from the original document is accurate and complete.

Frankfurt am Main, Germany, 27th June 2019

